

E-2 Crankcase Set

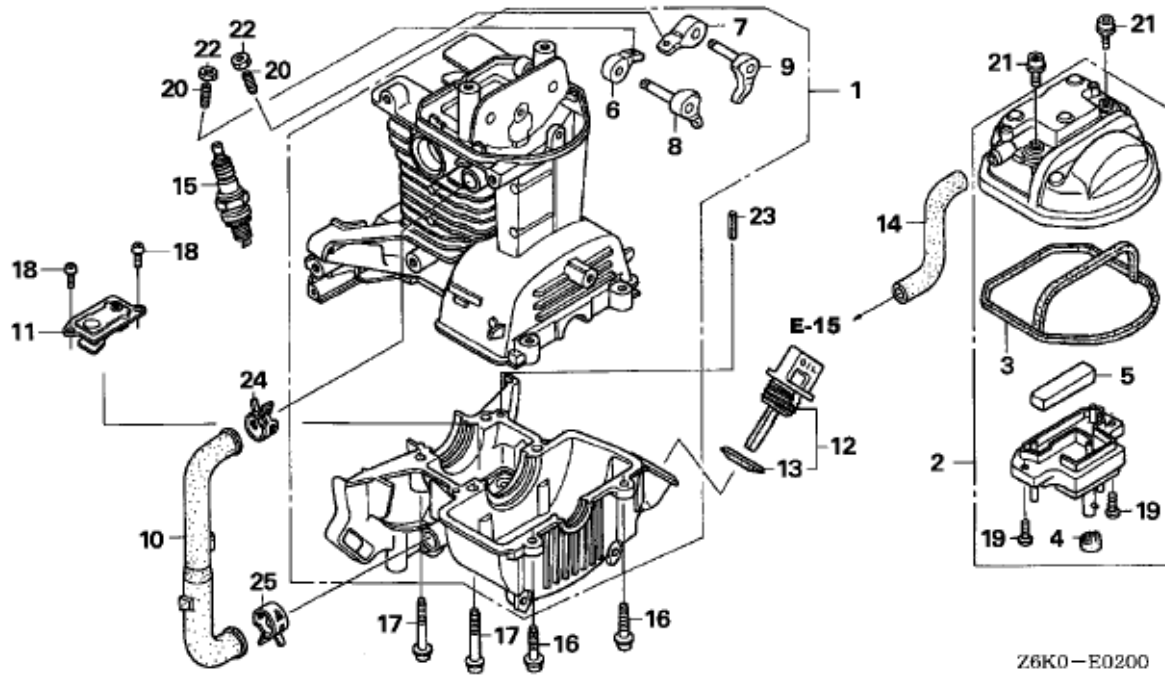
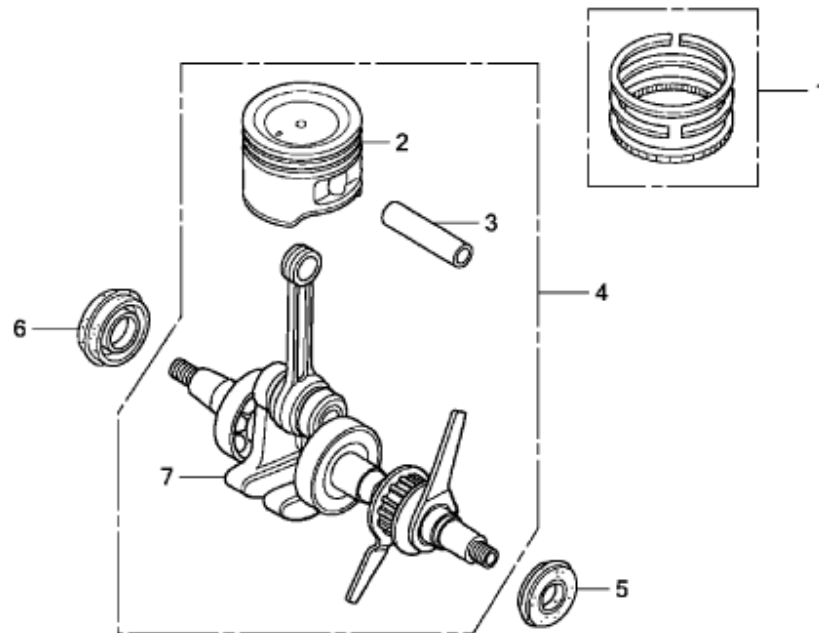


FIG #	PART #	DESCRIPTION	QTY
1	012120-00001	CRANKCASE SET	1
2	012120-00002	COVER, CYLINDER HEAD	1
3	012120-00003	SEAL, HEAD COVER	1
4	012120-00004	GROMMET, HEAD COVER	1
5	012120-00005	FILTER, BREATHER	1
6	012120-00006	ARM, INTERNAL VALVE ROCKER	1
7	012120-00007	ARM, EXTERNAL VALVE ROCKER	1
8	012120-00008	LIFTER COMP., INTERNAL VALVE	1
9	012120-00009	LIFTER COMP., EXTERNAL VALVE	1
10	012120-00010	TUBE, OIL	1
11	012120-00011	PLATE ASSEMBLY, OIL OUTLET VALVE	1
12	012120-00012	CAP ASSEMBLY, OIL FILLER	1
13	012120-00013	PACKING, OIL FILLER CAP	1
14	012120-00014	TUBE, BREATHER	1
15	012120-0015A 012120-0015B 012120-0015C	PLUG, SPARK (CMR4H)(NGK) OPTIONAL PLUG, SPARK (CRM5H)(NGK) PLUG, SPARK (CRM6H)(NGK) OPTIONAL	(1) 1 (1)
16	012120-00016	BOLT, SOCKET, 5 X 20	2
17	012120-00017	BOLT, SOCKET, 5 X 32	4
18	012120-00018 012120-0018A	SCREW, PAN, 4 X 8 (UP TO SERIAL # 1002284) SCREW, PAN, 4 X 8 (FROM SERIAL # 1002285 & UP)	2 2
19	012120-00019 012120-0019A	SCREW, PAN, 4 X 8 (UP TO SERIAL # 1002284) SCREW, PAN, 4 X 8 (FROM SERIAL # 1002285 & UP)	2 2
20	012120-00020	SCREW, TAPPET ADJUSTING	2
21	012120-00021	BOLT, SOCKET, 5 X 12	2
22	012120-00022	NUT, TAPPET ADJUSTING	2
23	012120-00023	PIN, SPRING, 4 X 10	1
24	012120-00024	CLAMP, TUBE (D12)	1
25	012120-00025	CLAMP, TUBE (D13)	1

E-7 Crankshaft/Piston

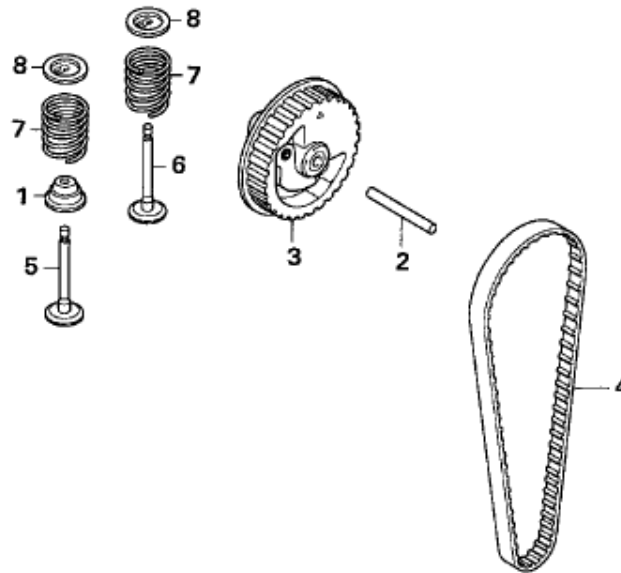


Z6K0E0700A



FIG #	PART #	DESCRIPTION	QTY
1	012120-00026	RING SET, PISTON	1
2	012120-00027	PISTON	1
3	012120-00028	PIN, PISTON	1
4	012120-00029	CRANKSHAFT COMP.	1
5	012120-00030	OIL SEAL, 10 X 25 X 5 (UP TO SERIAL # 1002284)	1
	012120-0030A	OIL SEAL, 10 X 25 X 5 (FROM SERIAL # 1002285 & UP)	1
6	012120-00031	OIL SEAL, 15 X 25 X 6 (UP TO SERIAL # 1002284)	1
	012120-0031A	OIL SEAL, 15 X 25 X 6 (FROM SERIAL # 1002285 & UP)	1

E-10 Cam Pulley



Z6K0-E1000



FIG #	PART #	DESCRIPTION	QTY
1	012120-00032	SEAL, VALVE STEM (UP TO SERIAL # 1002284) SEAL, VALVE STEM (FROM SERIAL # 1002285 & UP)	1 1
2	012120-00033	ROLLER, 4 X 31.8	1
3	012120-00034	PULLEY COMP., CAMSHAFT	1
4	012120-00035	BELT, TIMING (76ZU7 G-300) (UP TO SERIAL # 1002284) BELT, TIMING (76ZU7 G-300)(FROM SERIAL # 1002285 & UP)	1 1
5	012120-00036	VALVE, INTERNAL	1
6	012120-00038	VALVE, EXTERNAL	1
7	012120-00039	SPRING, VALVE	2
8	012120-00040	RETAINER, VALVE SPRING	2

E-11 Recoil Starter

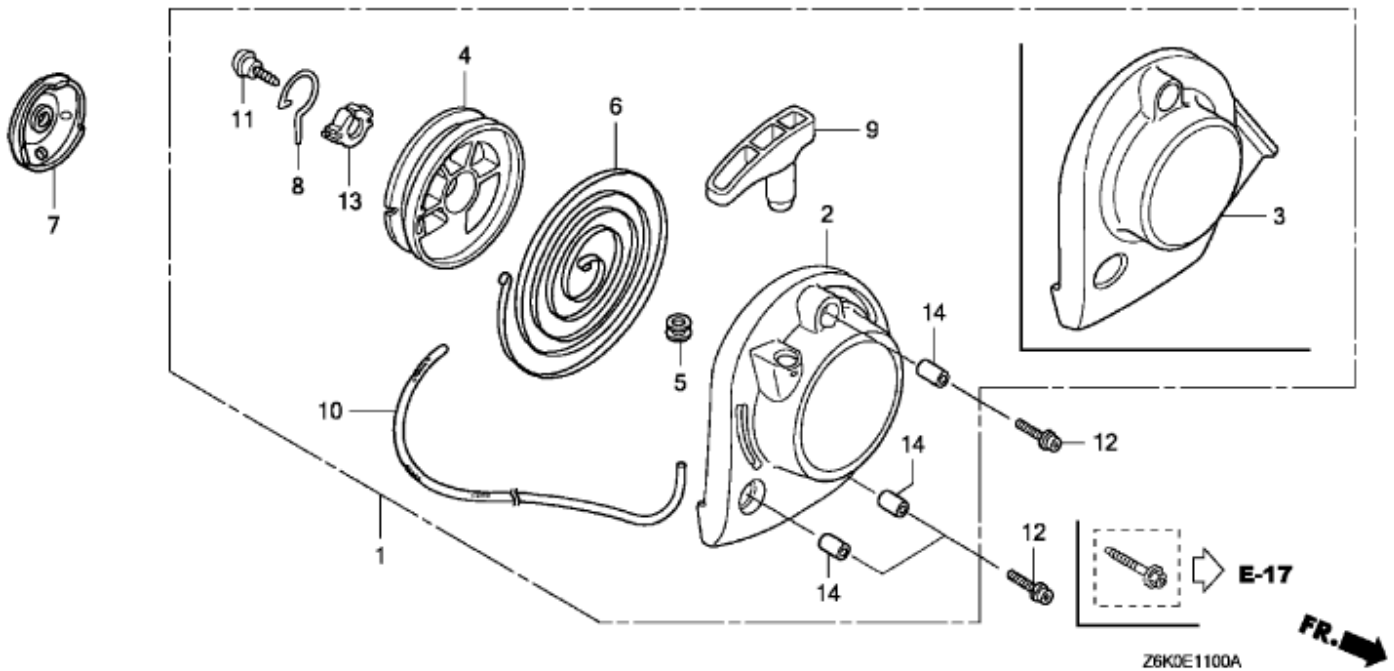
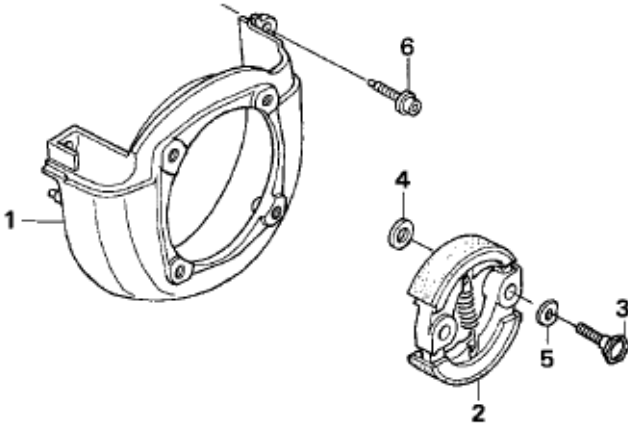


FIG #	PART #	DESCRIPTION	QTY
1	012120-00041	STARTER ASSEMBLY, RECOIL	1
2	012120-00042	CASE, RECOIL STARTER	1
4	012120-00043	REEL, RECOIL STARTER	1
5	012120-00044	GUIDE, ROPE	1
6	012120-00045	SPRING, RECOIL STARTER	1
7	012120-00046	PULLEY, RECOIL STARTER	1
8	012120-00047	ARM, SWING	1
9	012120-00048	KNOB, RECOIL STARTER	1
10	012120-00049	ROPE, RECOIL STARTER	1
11	012120-00050	SCREW, SETTING	1
12	012120-00051	BOLT, SOCKET 5 X 16	3
13	012120-00052	COLLAR	1
14	012120-00053	COLLAR A, HEAD COVER	3

E-12 Fan Cover/Clutch

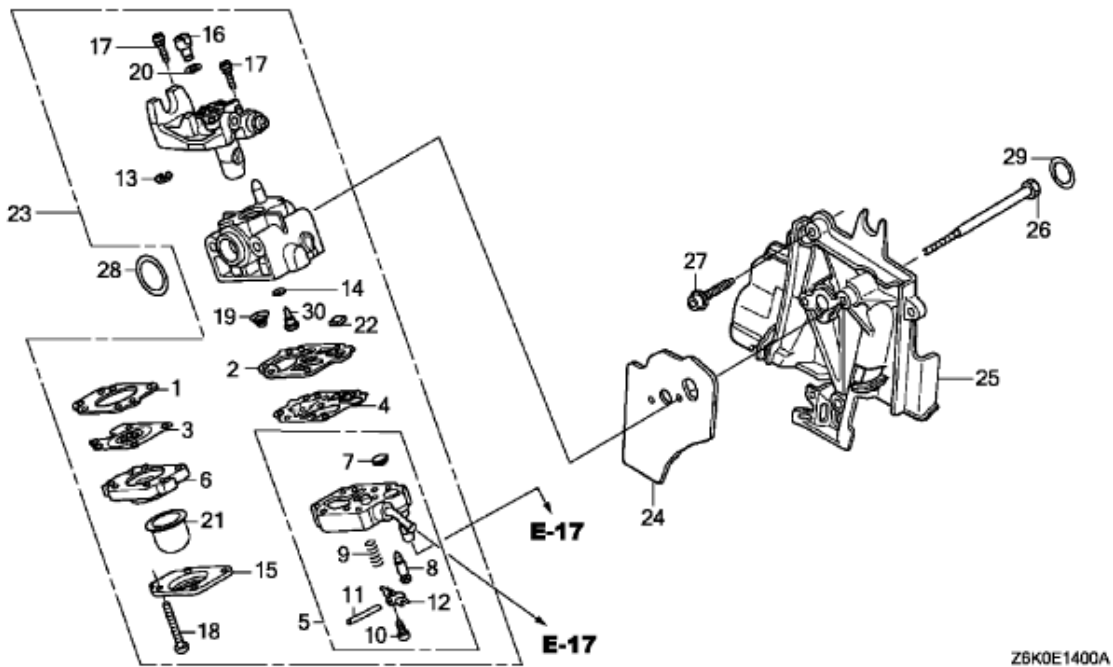
FR.



Z6K0-E1200

FIG #	PART #	DESCRIPTION	QTY
1	012120-00054	COVER, FAN	1
2	012120-00055	CLUTCH ASSEMBLY	1
3	012120-00056	BOLT, CLUTCH (8mm)	2
4	012120-00057	WASHER, CLUTCH (8 X 17)	2
5	012120-00058	WASHER, WAVE (10mm)	2
6	012120-00059	BOLT, SOCKET (% X 20)	3

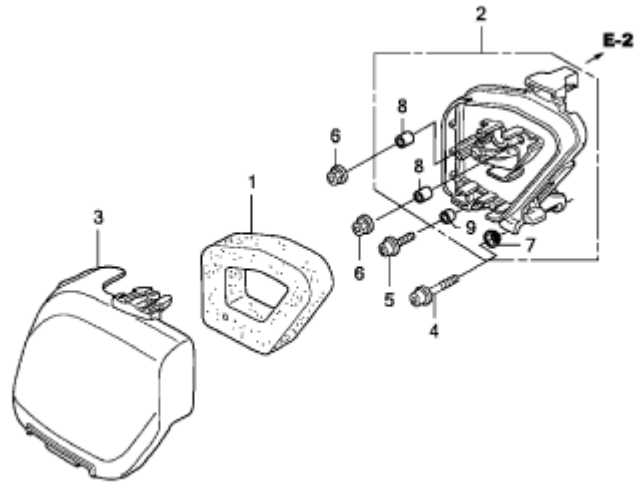
E-14 Carburetor



Z6K0E1400A

FIG #	PART #	DESCRIPTION	QTY
1	012120-00060	GASKET, METERING DIAPHRAGM	1
2	012120-00061	GASKET, PUMP	1
3	012120-00062	DIAPHRAGM ASSEMBLY, METERING	1
4	012120-00063	DIAPHRAGM, PUMP	1
5	012120-00064	BODY ASSEMBLY, PUMP	1
6	012120-00065	BODY ASSEMBLY, AIR PURGE	1
7	012120-00066	SCREEN, INLET	1
8	012120-00067	VALVE, INLET NEEDLE	1
9	012120-00068	SPRING, METERING LEVER	1
10	012120-00069	SCREW, METERING LEVER PIN	1
11	012120-00070	PIN, METERING LEVER	1
12	012120-00071	LEVER, METERING	1
13	012120-00072	RING, RETAINING	1
14	012120-00073	O-RING	1
15	012120-00074	COVER, PRIMER PUMP	1
16	012120-00075	SWIVEL	1
17	012120-00076	SCREW, THROTTLE COLLAR	2
18	012120-00077	SCREW, PUMP COVER	4
19	012120-00078	SPRING, PUMP	1
20	012120-00079	WASHER	1
21	012120-00080	PUMP, PRIMER	1
22	012120-00081	FILTER, FUEL INLET	1
23	012120-00082	CARBURETOR ASSEMBLY (WYB 16C)	1
24	012120-00083	PACKING, CARBURETOR	1
25	012120-00084	SHROUD	1
26	012120-00085	BOLT, 5 X 53	2
27	012120-00051	BOLT, SOCKET, 5 X 16	2
28	012120-00087	O-RING, 14.8 X 2.4	1
29	012120-00088	O-RING, 12.3 X 2.4	1
30	012120-00089	JET (#36 OPTIONAL)	(1)
	012120-00090	JET (#37)	1
	012120-00091	JET (#35 OPTIONAL)	(1)

E-15 Air Cleaner



Z6K0E1500B

FIG #	PART #	DESCRIPTION	QTY
1	012120-00092	ELEMENT, AIR CLEANER	1
2	012120-00093	CASE COMP., AIR CLEANER	1
3	012120-00094	COVER, AIR CLEANER	1
4	012120-00095	BOLT, SOCKET, 5 X 25	1
5	012120-00051	BOLT, SOCKET, 5 X 16	1
6	012120-00097	NUT, FLANGE, 5mm	2
7	012120-00132	COLLAR, AIR CLEANER	1
8	012120-00133	COLLAR, AIR CLEANER	2
9	012120-00134	COLLAR A, HEAD COVER	1

E-16 Muffler

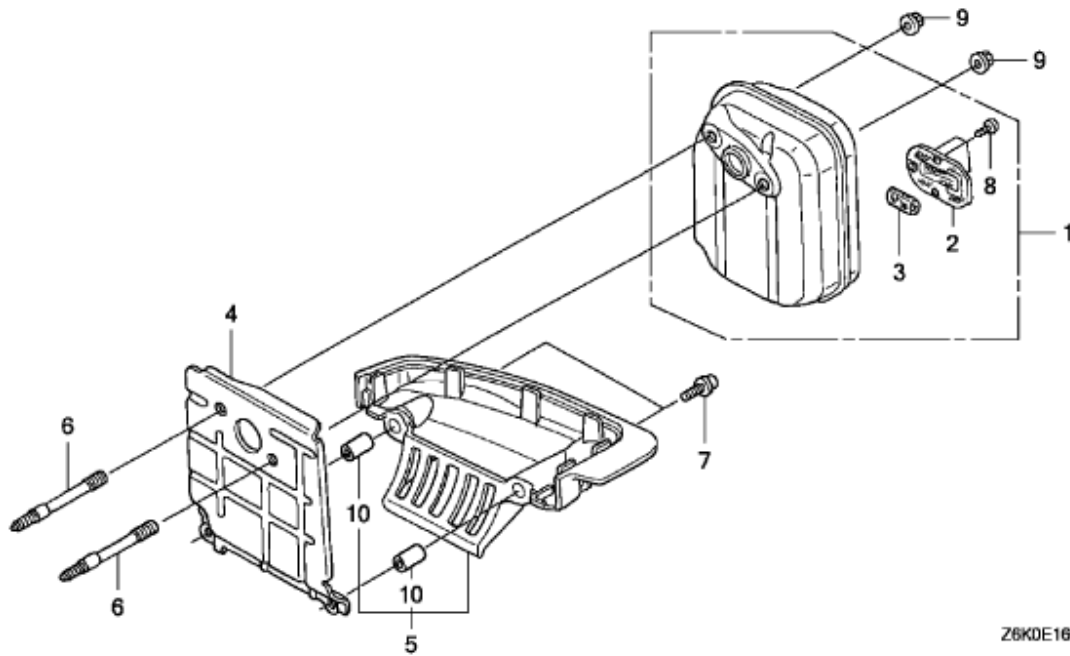
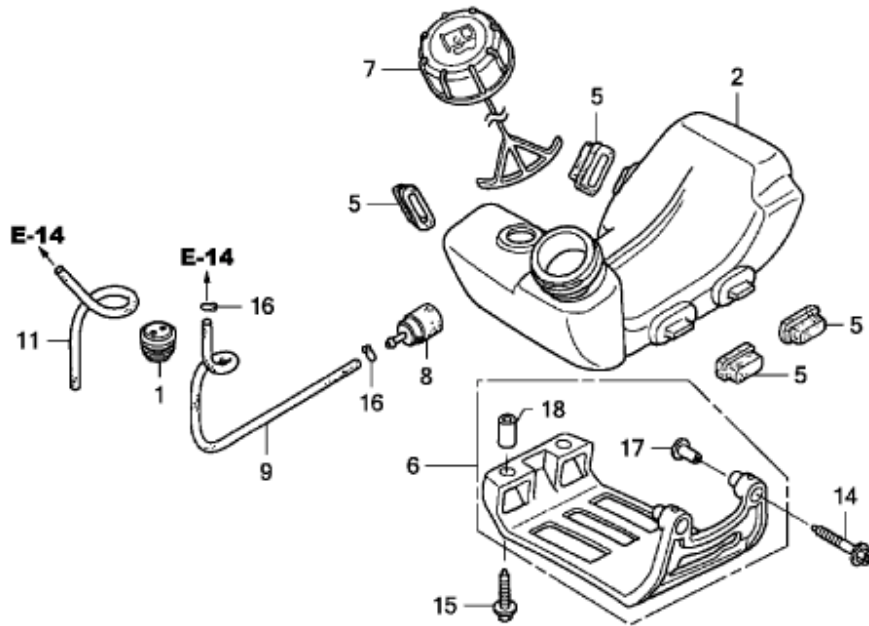


FIG #	PART #	DESCRIPTION	QTY
1	012120-00098	MUFFLER COMP. (ARRESTER)	1
2	012120-00099	ARRESTER COMP., SPARK	1
3	012120-00100	FILTER, EXHAUST	1
4	012120-00101	GUIDE, AIR	1
5	012120-00102	GUIDE COMP., UNDER AIR	1
6	012120-00103	BOLT, STUD, 5 X 56.5	2
7	012120-00051	BOLT, SOCKET, 5 X 16	2
8	012120-00105	SCREW, TAPPING, 4 X 6	3
9	012120-00106	NUT, SELF-LOCK, 5mm	2
10	012120-00135	COLLAR A, HEAD COVER	2

E-17 Fuel Tank

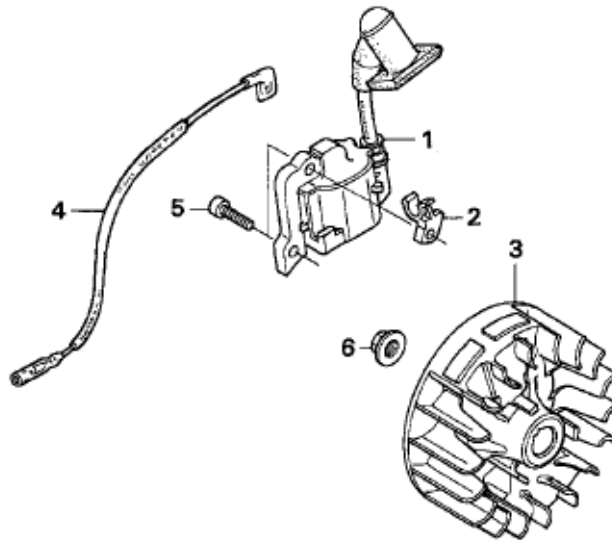


Z6K0E1700A



FIG #	PART #	DESCRIPTION	QTY
1	012120-00107	GROMMET, FUEL TUBE	1
2	012120-00108	TANK, FUEL	1
5	012120-00109	RUBBER, TANK MOUNTING	4
7	012120-00110	CAP ASSEMBLY, FUEL TANK	1
8	012120-00111	FILTER, FUEL	1
9	012120-00112	TUBE, FUEL TANK	1
11	012120-00113	TUBE, FUEL RETURN	1
16	012120-00114	CLIP, TUBE	2

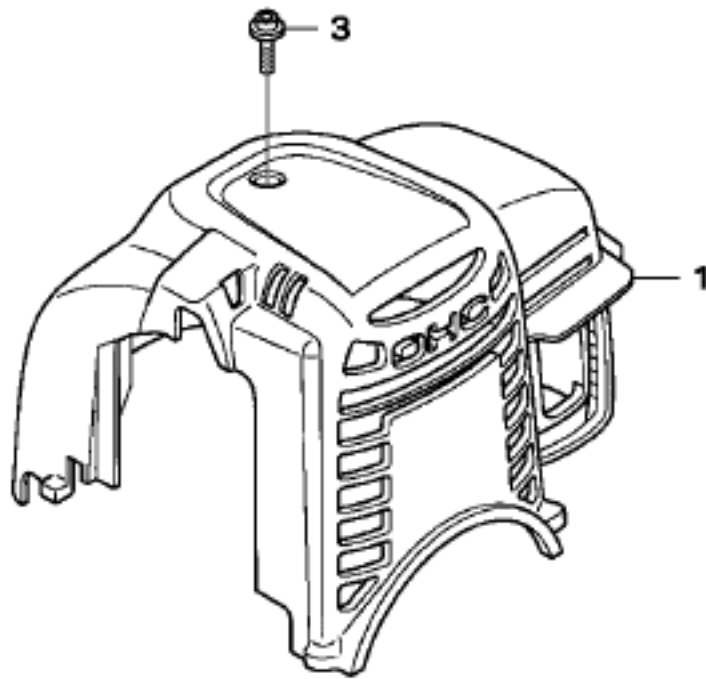
E-19 Flywheel



Z6K0-E1900

FIG #	PART #	DESCRIPTION	QTY
1	012120-00115	COIL ASSEMBLY, IGNITION	1
2	012120-00116	CLIP, HIGH TENSION CORD	1
3	012120-00117	FLYWHEEL COMP.	1
4	012120-00118	CORD, STOP SWITCH	1
5	012120-00119	BOLT, SOCKET, 4 X 14 (UP TO SERIAL # 1002284)	2
	012120-0119A	BOLT, SOCKET, 4 X 14 (FROM SERIAL # 1002285 & UP)	2
6	012120-00120	NUT, FLANGE, 8mm	1

E-27 Top Cover

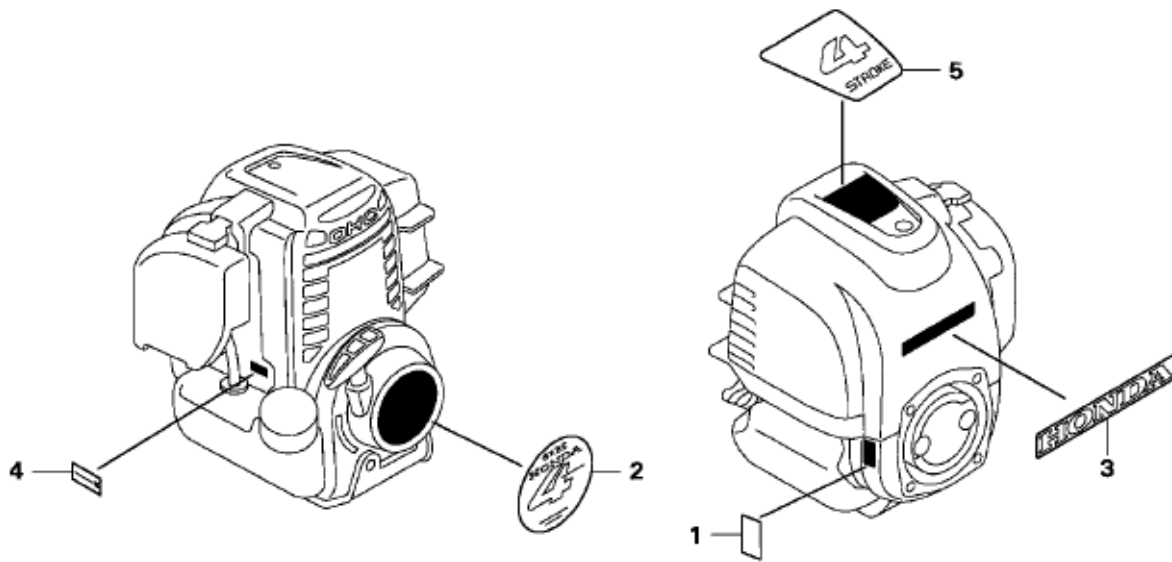


Z6K0-E2700



FIG #	PART #	DESCRIPTION	QTY
1	012120-00121	COVER COMP., TOP R280	1
3	012120-00122	BOLT, TOP COVER	1

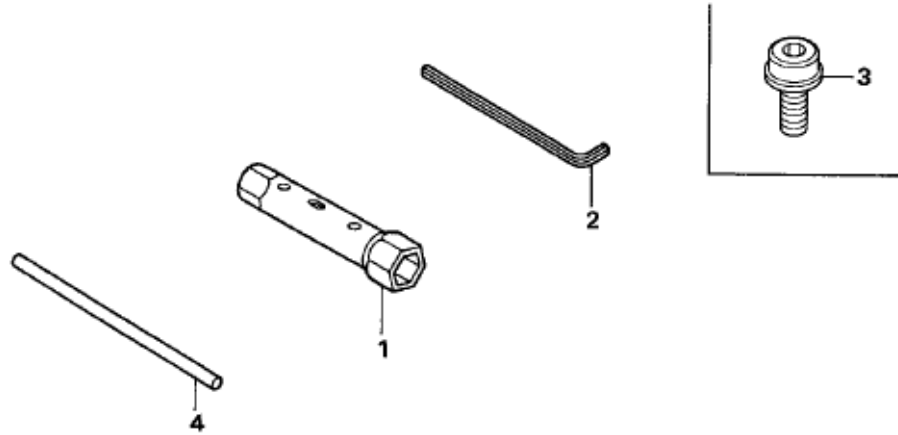
E-28 Label



Z6K0-E2800

FIG #	PART #	DESCRIPTION	QTY
1	012120-00123	LABEL, WARNING (NOT CERTIFIED FOR SALE)	1
2	012120-00124	MARK, EMBLEM	1
3	012120-00125	MARK, HONDA	1
4	012120-00126	MARK, TYPE (S3)	1
5	012120-00127	MARK, (4-STROKE)	1

E-29 Tool



Z6K0-E2900

FIG #	PART #	DESCRIPTION	QTY
1	012120-00128	WRENCH, SPARK PLUG	1
2	012120-00129	WRENCH, HEX, 4mm	1
3	012120-00130	BOLT, SOCKET, 5 X 9	1
4	012120-00131	BAR A, HANDLE	1